

Leoni Curved

Radiators  Direct



6 weeks



10 Year
Guarantee



25 RAL colours
8 Special Finishes

Overview

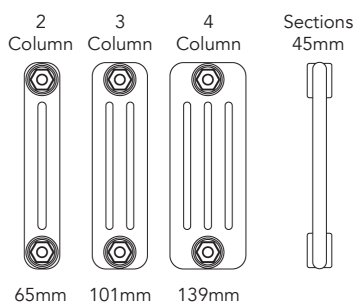
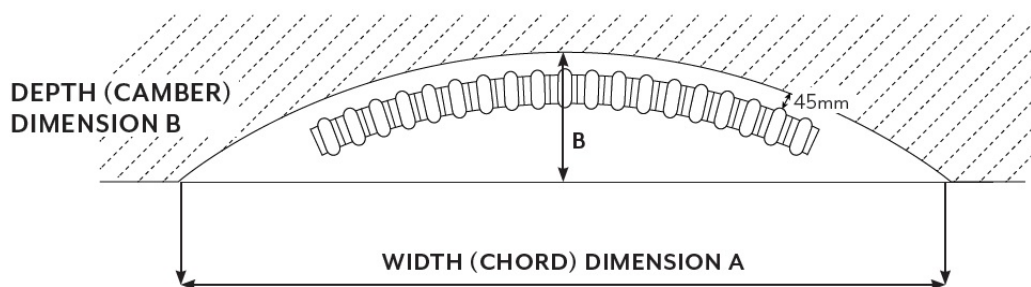
Part of our best-selling Leoni range, the Leoni curved is a truly bespoke product. Available in 2, 3 and 4 column, 3 heights and widths from 10 to 40 sections. With 34 colours and finishes to choose from the Leoni curved is extremely versatile. Supplied with wall brackets with the option of welded feet means this radiator can either be wall or floor mounted to suit any interior.

Made in Italy to your specification, these designer radiators are powder coated in White RAL 9016 as standard but come in a wide range of other finishes. Each section is curved to fit your space and laser welded, to ensure long-lasting durability and is backed up by a minimum 10-year guarantee.

- Italian design & manufacture
- Steel multi column curved radiator
- 2, 3 and 4 column options
- 3 heights in up to 40 sections
- Optional welded feet
- White RAL 9016 as standard
- 25 RAL colours & 8 special finishes available
- 6 weeks delivery from receipt of written sign off of technical drawings
- 10 year Guarantee



Technical Drawing



Sizes & Outputs

Model Code	Dimensions (mm)			Weight kg	Output Δt 25°C		Output Δt 30°C		Output Δt 35°C		Output Δt 50°C		Output Δt 65°C	
	Height	Width	Depth		Watts	Btu's	Watts	Btu's	Watts	Btu's	Watts	Btu's	Watts	Btu's
2 Column														
LEONC2C40	400	45	65	0.66	12	42	15	52	19	64	30	102	42	144
LEONC2C50	500	45	65	0.80	15	50	18	63	23	77	36	123	51	173
LEONC2C60	600	45	65	0.95	18	60	22	75	27	93	43	147	61	207
3 Column														
LEONC3C40	400	45	101	0.78	17	59	21	73	26	90	42	143	59	202
LEONC3C50	500	45	101	0.96	21	71	26	89	32	110	51	174	72	245
LEONC3C60	600	45	101	1.14	25	84	31	105	38	129	60	205	85	289
4 Column														
LEONC4C40	400	45	139	1.29	22	75	28	94	34	116	54	184	76	259
LEONC4C50	500	45	139	1.58	27	92	34	115	42	142	66	225	93	317
LEONC4C60	600	45	139	1.87	32	111	40	138	50	170	79	270	111	381

Connections

A set of connection fittings is provided for each radiator.

Each set comprises :

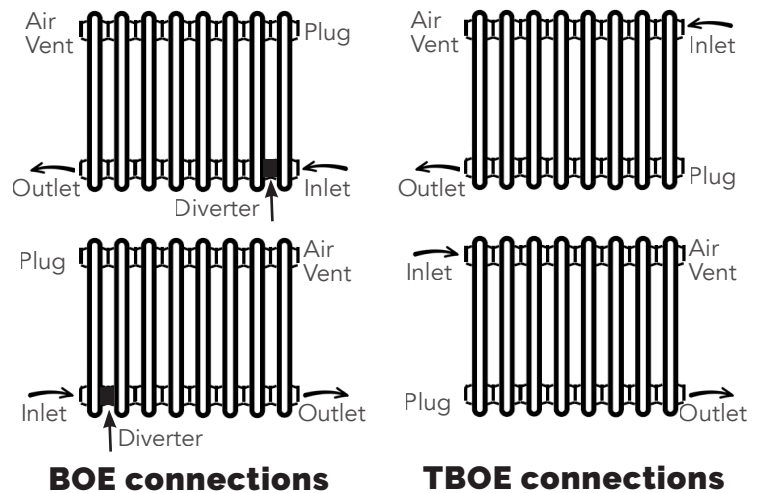
2 x R1¼ x R½ pipe connection bushes

1 x R1¼ plug (RH thread)

1 x R1¼ vent bush (LH thread) and R½ vent valve.

Radiators are normally installed with either BOE (bottom opposite end) or TBOE (top & bottom opposite end) connections. Unless notified at time of order, radiators are supplied with ½" BOE connections as standard. For installations with BOE connections, a diverter (supplied) should be fitted at the inlet connection for all radiators.

IMPORTANT : Inspect the radiator for any damage before installing and filling with water.

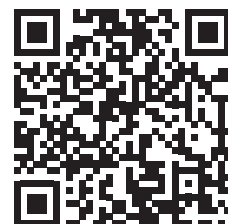


Order Process

As the Leoni Curved is 100% bespoke to your specification, you will need to follow the steps in our "Specification Instruction" and fill out the "specification Form" before an order can be placed. The process for specifying your curved radiator is very simple, however it is important to be accurate with any dimensions to ensure your radiator is built correctly – there will be opportunity to double check all figures against technical drawings before finalising the order.

We will need to know your radiator requirements plus your bay information to identify if the curve of the radiator can be achieved. There are limits to the curve that can be achieved so it is essential we check your requirements before any order is placed. Once we have this information which is all listed in our "specification Form" we will send you a confirmation drawing and a link to your specific product to check the details and place the order.

View our web page to find the "Specification Instructions" and the "Specification Form"



Colour and Finishes

Leoni is available in a selection of 26 RAL colours and 8 Special Finishes. Colour is hugely important in all of our home's décor. We all care greatly about the colour of our walls, so why not about the radiators that adorn them? When selecting a RAL colour or special finish we recommend that you always choose your final colour from one of our colour chips for the best representation of the colour.

Please note that due to screen resolution and manufacturing tolerances, the colour (including white) of a finished radiator may vary slightly from the colours represented on the website. We strongly advise taking the time to order one or more of our colour samples, to ensure you choose the correct colour for your room and taste.

It should also be noted the finished colour of radiators may slightly vary should they be ordered and painted at different times.



Order a Colour Sample

Mounting Options

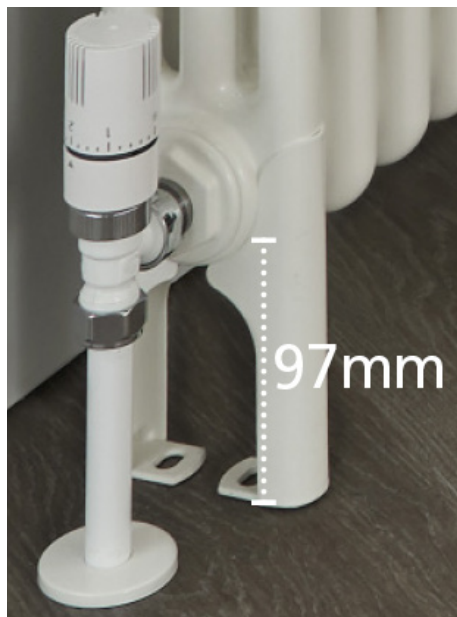
Help define the style of your Leoni radiators, by selecting an alternative mounting option to standard wall brackets.

Wall Brackets



Wall brackets are our standard fitting option, they provide the flexibility to position your radiator exactly where you need it. Suitable for any interior scheme they provide clean simple lines and look particularly neat with pipe work coming from the wall.

Welded Feet



Welded feet add a different dimension to a contemporary look and also work well when maintaining a vintage aesthetic. These are welded at time of manufacturing so must be specified at time of order

Please note: they will add 97mm to the height of your radiator.

Accessories

Personalise your radiators by choosing from our range of radiator accessories. All of our accessories are designed to perfectly complement our radiators and are built to the highest standards in Italy.

Hanging Bar



Rota TRV Valves



Pipe Covers

