

Leoni 2 Column

Radiators  Direct



48 - 72 hours for white
10 working days for colour



10 Year
Guarantee



25 RAL colours
8 Special Finishes

Overview

Part of our best-selling Leoni range, the Leoni Steel 2 Column Radiator is held in stock and also available in 3 and 4 column formats. Available in 61 different size configurations this range boasts huge versatility. Supplied with wall brackets with the option of feet means this radiator can either be wall or floor mounted to suit any interior.

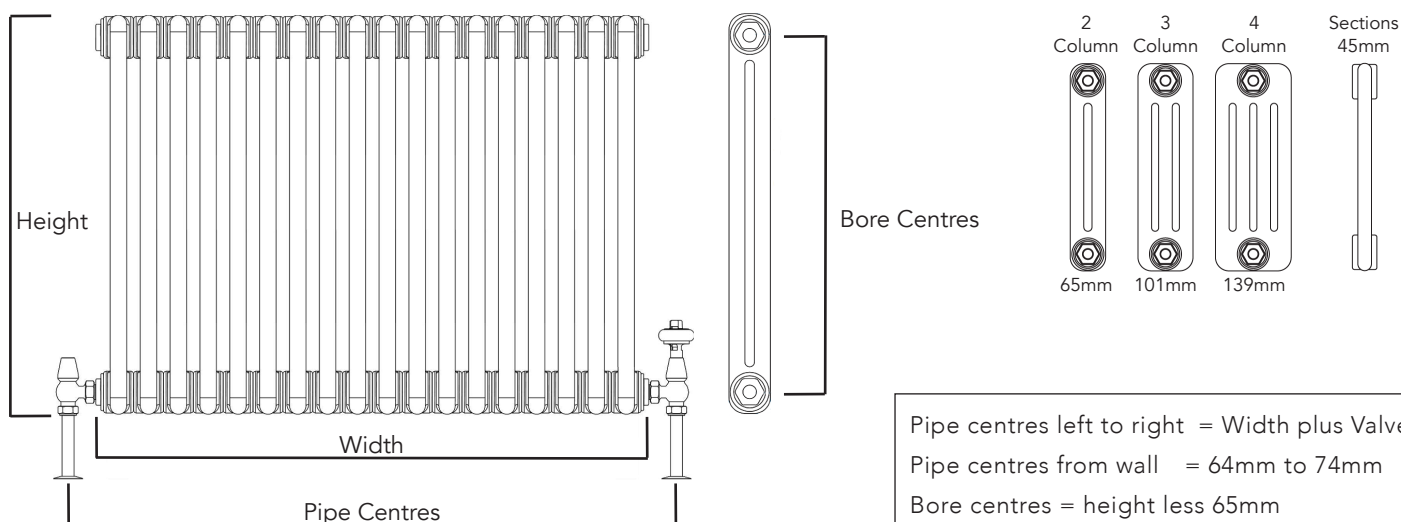
Made in Italy, these designer radiators are powder coated in White RAL 9016 as standard but come in a wide range of other finishes. Each section is laser welded to ensure long-lasting durability and is backed up by a minimum 10-year guarantee.

Lightweight and easy to install, with options for both vertical and horizontal installations, the Leoni Steel Multi Column range suits both contemporary and traditional interiors.

- Italian design & manufacture
- Steel multi column radiator
- 4 heights and 8 widths to choose from
- White RAL 9016 as standard
- 25 RAL colours & 8 special finishes available
- Available in horizontal & vertical
- 48 - 72 hours delivery for white
- 10 working days delivery for colour
- 10 year Guarantee



Technical Drawing & Pipe Centres



Sizes & Outputs

Model Code	Dimensions (mm)		Sections	Weight kg	Output Δt 25°C		Output Δt 30°C		Output Δt 35°C		Output Δt 50°C		Output Δt 65°C	
	Height	Width			Watts	Btu's	Watts	Btu's	Watts	Btu's	Watts	Btu's	Watts	Btu's
Horizontal														
LEON2C506113	500	611	13	9.997	192	655	239	814	295	1006	468	1597	660	2252
LEON2C508318		836	18	13.606	266	907	330	1128	408	1393	648	2211	914	3118
LEON2C501022		1016	22	16.493	325	1108	404	1378	499	1702	792	2702	1117	3810
LEON2C501126		1196	26	19.381	384	1310	477	1629	590	2012	936	3194	1320	4504
LEON2C501330		1376	30	22.268	443	1511	551	1879	680	2322	1080	3685	1523	5196
LEON2C606119	600	611	13	11.354	229	782	285	973	352	1201	559	1907	788	2689
LEON2C608318		836	18	15.484	317	1083	395	1347	488	1664	774	2641	1091	3724
LEON2C601022		1016	22	18.788	388	1323	482	1646	596	2034	946	3228	1334	4551
LEON2C601126		1196	26	22.092	458	1564	570	1946	704	2403	1118	3815	1576	5379
LEON2C601330		1376	30	25.396	529	1804	658	2245	813	2773	1290	4401	1819	6205
LEON2C755211	750	521	11	11.975	235	800	292	996	360	1230	572	1952	807	2752
LEON2C756113		611	13	14.04	277	946	345	1177	426	1453	676	2307	953	3253
LEON2C758318		836	18	19.201	384	1310	477	1629	590	2012	936	3194	1320	4504
Vertical														
LEON2C183407	1800	341	7	18.051	356	1214	443	1511	547	1866	868	2962	1224	4176
LEON2C184309		431	9	23.023	458	1561	569	1942	703	2399	1116	3808	1574	5369
LEON2C185211		521	11	27.996	559	1908	696	2374	859	2932	1364	4654	1923	6562
LEON2C186113		611	13	32.968	661	2255	822	2805	1016	3465	1612	5500	2273	7755

Widths include measurement for bushes. Please note due to manufacturing tolerances width shown may vary by +/- 2mm.

Connections

A set of connection fittings is provided for each radiator.

Each set comprises :

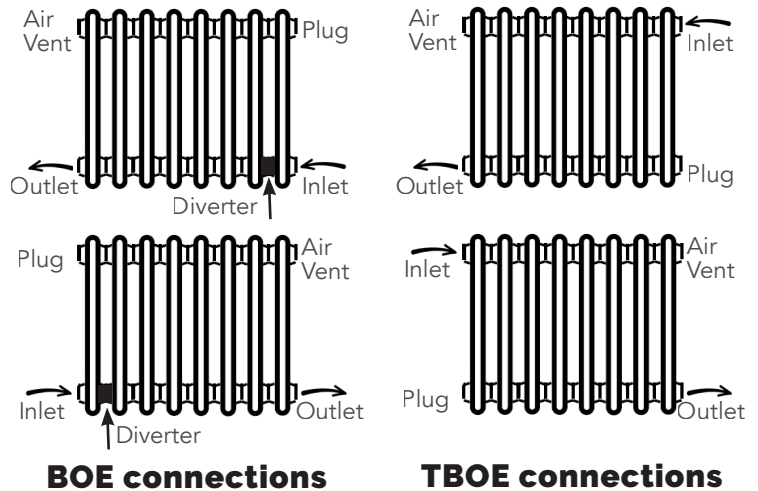
2 x R1¼ x R½ pipe connection bushes

1 x R1¼ plug (RH thread)

1 x R1¼ vent bush (LH thread) and R½ vent valve.

Radiators are normally installed with either BOE (bottom opposite end) or TBOE (top & bottom opposite end) connections. Unless notified at time of order, radiators are supplied with ½" BOE connections as standard. For installations with BOE connections, a diverter (supplied) should be fitted at the inlet connection for all radiators.

IMPORTANT : Inspect the radiator for any damage before installing and filling with water.



Colour and Finishes

Leoni is available in a selection of 26 RAL colours and 8 Special Finishes. Colour is hugely important in all of our home's décor. We all care greatly about the colour of our walls, so why not about the radiators that adorn them? When selecting a RAL colour or special finish we recommend that you always choose your final colour from one of our colour chips for the best representation of the colour.

Please note that due to screen resolution and manufacturing tolerances, the colour (including white) of a finished radiator may vary slightly from the colours represented on the website. We strongly advise taking the time to order one or more of our colour samples, to ensure you choose the correct colour for your room and taste.

It should also be noted the finished colour of radiators may slightly vary should they be ordered and painted at different times.



Order a Colour Sample

Mounting Options

Help define the style of your Leoni radiators, by selecting an alternative mounting option to standard wall brackets.

Wall Brackets



Wall brackets are our standard fitting option, they provide the flexibility to position your radiator exactly where you need it. Suitable for any interior scheme they provide clean simple lines and look particularly neat with pipe work coming from the wall.

Slip on Feet



Slip on feet add a different dimension to a contemporary look and also work well when maintaining a vintage aesthetic. These simple to fit feet make installing your radiator easier and can be colour matched your Leoni Radiator.

Please note: they will add 100mm to the height of your radiator.

Cast Feet



Leoni Floor Mounts work well if it is a more traditional look you are going for. These simple to fit floor mounts make installing your radiator easier and can be colour matched to your Leoni Radiator.

Please note: they will add 105mm to the height of your radiator.

Accessories

Personalise your radiators by choosing from our range of radiator accessories. All of our accessories are designed to perfectly complement our radiators and are built to the highest standards in Italy.

Hanging Bar



Rota TRV Valves



Pipe Covers

