

# Isabella 50 Horizontal Fitting Instructions

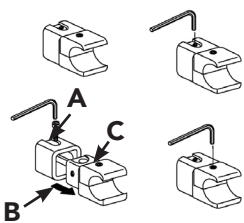


Please read these instructions and terms and conditions carefully prior to installation. Failure to do so may invalidate the warranty.

## Drawings

Fig 1

**Single Horizontal**



**Double Horizontal**

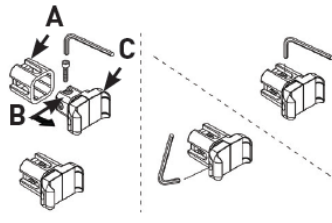
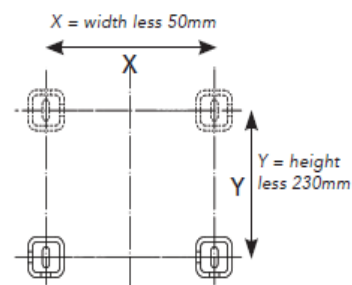


Fig 2

**Single Horizontal**



**Double Horizontal**

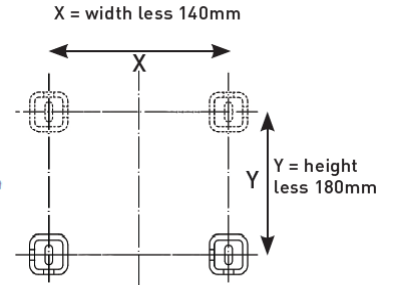
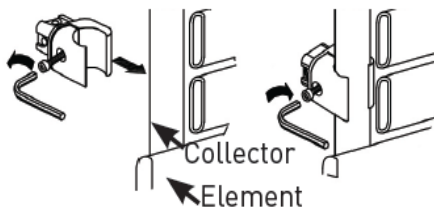
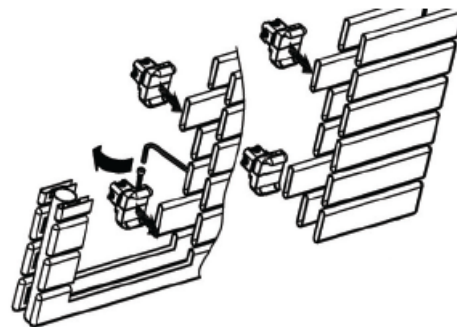


Fig 3

**Single Horizontal**



**Double Horizontal**



## Pipe Centres

	Single	Double
Pipe centres left to right	= width minus 30mm	= width minus 30mm
Pipe centres from wall	= 55mm	= 76mm - 82mm
Depth from wall	= 95mm	= 116mm - 122mm

## 1. Unpack & Inspect

This product should have reached you in perfect condition. Please carefully unpack and inspect this radiator and all fittings. Your point of purchase must be notified of any shortages or damage within 28 days of delivery. For further information please see terms and conditions overleaf.

## 2. Contents

### You should have:

- 1 Radiator
- 4 Wall Brackets
- 4 Wall Plugs
- 4 Screws
- 4 Wall Sleeves
- 1 Airvent
- 1 Blanking Plug

### You will need:

- Tape measure
- Electric drill and bits
- Spirit level

## 3. Fitting Brackets

Always use a suitable drill bit, screws & plugs. Fix the brackets, ensuring they are level using a spirit level.

### PLEASE NOTE:

It is essential that all brackets are level and square, prior to hanging the radiator to ensure a vertical alignment for connecting the pipework.

### Single Horizontal

1. Mark bracket positions as per **Fig. 2**, measure the width (X) of the radiator less 50mm and the height (Y) of the radiator less 230mm to find your four fixing positions for the Wall sleeves.
2. Using suitable wall plugs, fit the Wall Sleeves (**A** in **Fig. 1**) with screws into the wall in the positions as described above.

**Ensure wall sleeves are both horizontally and vertically level.**

3. See **Fig 1** - attach clamps **B** & **C** to the collector between the 2nd & 3rd element above and below, ensuring part "**B**" has the fastening screw on top. Do not over-tighten this to allow slight adjustment for inserting into Wall Sleeves
4. Raise radiator and slot into Wall Sleeves and use grub screws to attach to the wall sleeves.

## 3. Fitting Brackets Cont.

### Single Horizontal continued...

5. Once all the clamps are inserted and tightened with grub screws, tighten clamps onto collector.

### Double Horizontal

1. Mark bracket positions as per **Fig. 2**, measure the width (X) of the radiator less 140 mm and the height (Y) of the radiator less 180mm to find your four fixing positions for the Wall sleeves.
2. Using suitable wall plugs, fit the Wall Sleeves (**A** in **Fig. 1**) with screws into the wall in the positions as described above.
3. See **Fig 1** - attach clamps **B** & **C** to 2nd element above and 2nd element from below and 70mm in from the edge of the radiator, ensuring that **B** has the fastening screw on top. Do not over tighten this to allow slight adjustment for inserting into Wall Sleeves
4. Raise radiator and slot into Wall Sleeves "**A**" and use grub screw to attach to the wall sleeves.
5. Once all the clamps are inserted and tightened with grub screws, tighten clamps onto element.

## 5. Commission

When commissioning your radiator on an indirect/closed system we recommend using a suitable mixed metal inhibitor to protect against scale & corrosion.

**Damage caused to systems not protected by a suitable inhibitor will not be covered by manufacturer's guarantee.**

## Technical Specifications

<b>Materials</b>	Steel.
<b>Connections</b>	½" flow and return.
<b>Test pressure</b>	6 Bar
<b>Testing Authority</b>	CE/UKCA approved & cert. to EN442
<b>Maximum operating pressure</b>	4 Bar
<b>Maximum working temperature</b>	95°C
<b>Packaging</b>	Wrapped in polyethylene & boxed.

## Guarantees & Liabilities

This product is guaranteed for 10 years. The guarantees in all cases are subject to the products being installed in accordance with British and or European standards as well as these fitting instructions. The guarantees in all cases are restricted to the free of charge replacement or repair of the failed product only. Our liability will under no circumstances extend beyond the repair or replacement of the product supplied by us. Claims for either labour in replacement or damage to property are not admissible. Any goods that are returned, in the event of a problem, will belong to us.

## Terms & Conditions

All products must be inspected once removed from the packaging and your point of purchase notified within 28 days of delivery of any scratches, blemishes or other damage. Your point of purchase will then agree appropriate action.

Imperfect radiators should therefore not be fitted and your point of purchase will not accept responsibility for replacement of scratched or damaged radiators once they have been fitted. This includes any consequential loss or cost of fitting.

If your point of purchase are not notified within 28 days of the date on the signed delivery note then it will be deemed that they have fully complied with their obligations and claims will not be considered.

Failure to comply with any of the above may invalidate any claims. Your point of purchase recommend that after you check the product on delivery that it is stored in its packaging to prevent damage prior to installation, they cannot accept responsibility for items damaged after delivery.

## Isabella 50 Vertical Fitting Instructions

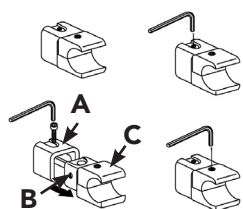


Please read these instructions and terms and conditions carefully prior to installation. Failure to do so may invalidate the warranty.

### Drawings

Fig 1

Single Vertical



Double Vertical

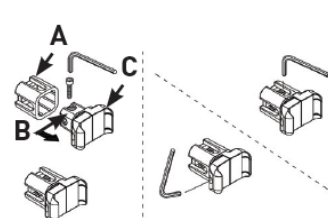
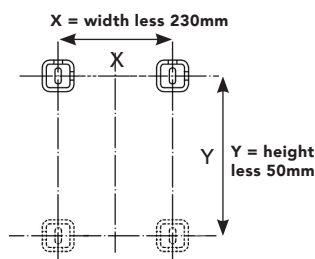


Fig 2

Single Vertical



Double Vertical

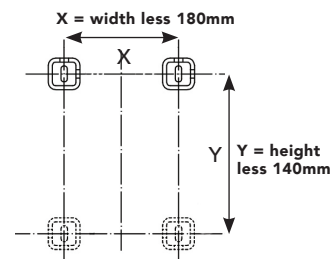


Fig 3

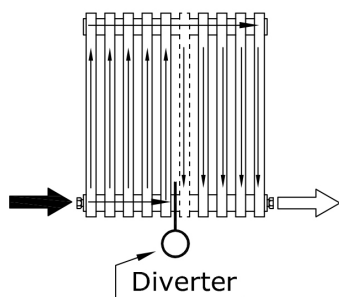
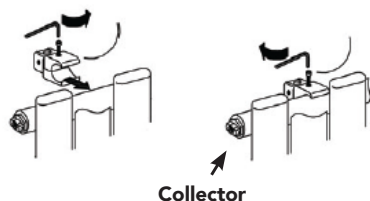
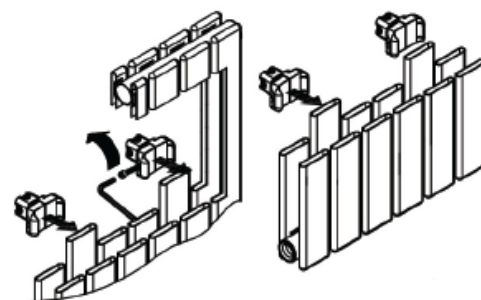


Fig 4

Single Vertical



Double Vertical



### Pipe Centres

	Single	Double
Pipe centres left to right	= width plus valves	width plus valves
Pipe centres from wall	= 55mm	74mm - 84mm
Depth from wall	= 78mm	97mm - 107mm

### 1. Unpack & Inspect

This product should have reached you in perfect condition. Please carefully unpack and inspect this radiator and all fittings. Your point of purchase must be notified of any shortages or damage within 28 days of delivery. For further information please see terms and conditions overleaf.

## 2. Contents

### You should have:

- 1 Radiator
- 4 Wall Brackets
- 4 Wall Plugs
- 4 Screws
- 4 Wall Sleeves
- 1 Airvent
- 1 Blanking Plug
- 1 Diverter

### You will need:

- Tape measure
- Electric drill and bits
- Spirit level

## 3. Identify Diverter

Factory fitted steel diverters are used in all vertical models and can be identified by a sticker found on the underside of one collector. The radiator must be hung with the diverter at the bottom. If this sticker is missing simply look into both collectors, one will have a clear water way and one will have a deliberate blockage, this deliberate blockage is the diverter. Please note the diverter cannot be removed.

## 4. Fitting Brackets

### Single vertical

1. Mark bracket positions as per **Fig. 2**, measure the width (X) of the radiator less 230mm and the height (Y) of the radiator less 50mm to find your four fixing positions for the Wall sleeves.

2. Using suitable wall plugs, fit the Wall Sleeves ("A" in **Fig.1**) with screws into the wall in the positions as described as above.

**Ensure wall sleeves are both horizontally and vertically level.**

3. Ensure diverter is in the correct position

4. Attach clamps **B & C** to collector between the 2nd and 3rd element from either side, do not overtighten this (**Fig. 1**), to allow slight adjustment for inserting into wall sleeves.

## 4. Fitting Brackets Cont.

### Single vertical continued...

5. Raise radiator and slot into Wall Sleeves "A" and use grub screws to attach to the wall sleeves.

6. Once all of the clamps are inserted and tightened with grub screws, tighten clamps onto collector/element.

### Double vertical

1. Mark bracket positions as per **Fig. 2**, measure the width (X) of the radiator less 180mm and the height (Y) of the radiator less 140mm to find your four fixing positions for the Wall sleeves.

2. Using suitable wall plugs, fit the Wall Sleeves ("A" in **Fig. 1**) with screws into the wall in the positions as described above.

**Ensure wall sleeves are both horizontally and vertically level.**

3. Attach clamps **B & C** to 2nd element from side, 70mm from top & bottom of radiator, do not overtighten this (**Fig. 1**), to allow slight adjustment for inserting into wall sleeves.

4. Raise radiator and slot into Wall Sleeves "A" and use grub screws to attach to the wall sleeves.

5. Once all of the clamps are inserted and tightened with grub screws, tighten clamps onto collector/element.

## 5. Commission

When commissioning your radiator on an indirect/closed system we recommend using a suitable mixed metal inhibitor to protect against scale & corrosion.

**Damage caused to systems not protected by a suitable inhibitor will not be covered by manufacturer's guarantee.**

---

## Technical Specifications

<b>Materials</b>	Steel.
<b>Connections</b>	½" flow and return.
<b>Test pressure</b>	6 Bar
<b>Testing Authority</b>	CE/UKCA approved & cert. to EN442
<b>Maximum operating pressure</b>	4 Bar
<b>Maximum working temperature</b>	95°C
<b>Packaging</b>	Wrapped in polyethylene & boxed.

## Guarantees & Liabilities

This product is guaranteed for 10 years. The guarantees in all cases are subject to the products being installed in accordance with British and or European standards as well as these fitting instructions. The guarantees in all cases are restricted to the free of charge replacement or repair of the failed product only. Our liability will under no circumstances extend beyond the repair or replacement of the product supplied by us. Claims for either labour in replacement or damage to property are not admissible. Any goods that are returned, in the event of a problem, will belong to us.

## Terms & Conditions

All products must be inspected once removed from the packaging and your point of purchase notified within 28 days of delivery of any scratches, blemishes or other damage. Your point of purchase will then agree appropriate action.

Imperfect radiators should therefore not be fitted and your point of purchase will not accept responsibility for replacement of scratched or damaged radiators once they have been fitted. This includes any consequential loss or cost of fitting.

If your point of purchase are not notified within 28 days of the date on the signed delivery note then it will be deemed that they have fully complied with their obligations and claims will not be considered.

Failure to comply with any of the above may invalidate any claims. Your point of purchase recommend that after you check the product on delivery that it is stored in its packaging to prevent damage prior to installation, they cannot accept responsibility for items damaged after delivery.